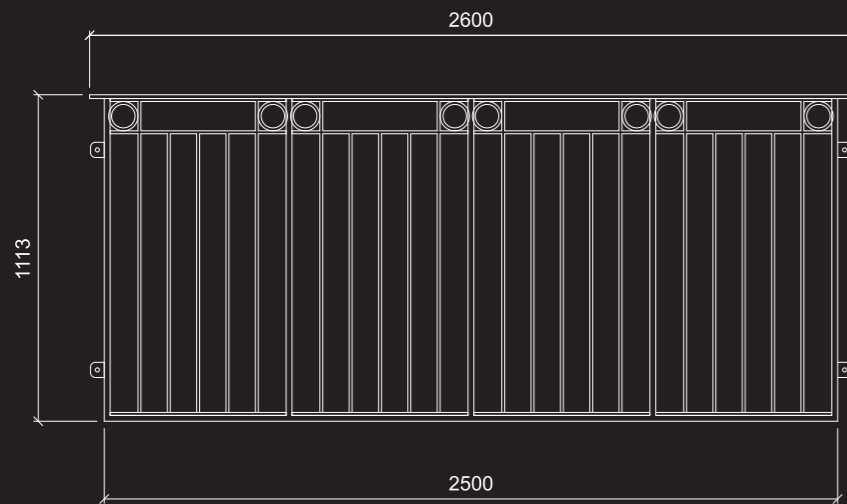
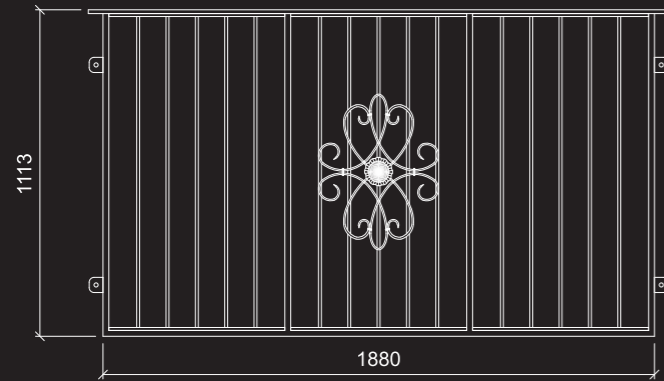
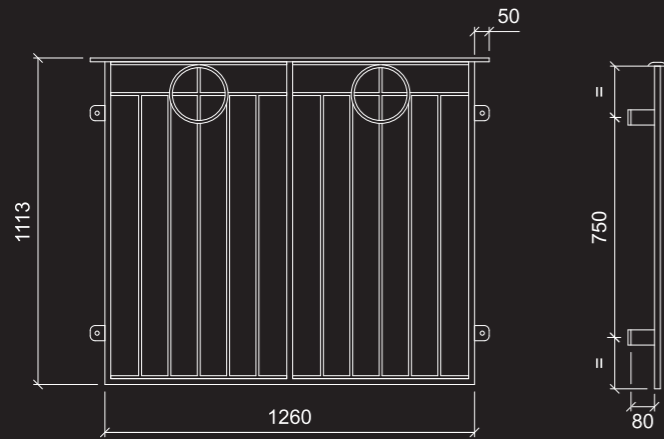


BIRTLEY 'JULIET' BALCONIES MEASURE UP IN EVERY WAY



FEATURES

- Hot-dip galvanized for complete durability
- Optional powder coating
- Available in 3 sizes, (2, 3 & 4 panels)
- Choice of 6 infill panels
- Dimensions meet Building Regulations and NHBC requirements
- Frames and infill panels are stocked at Birtley for fast turnaround and allow for modular construction
- Supplied with protective covering to be removed after installation
- Special designs also available
- Balconies can be face fixed, using expanding bolts or chemical anchors. Alternate fixing methods available for render or tile-hung finishes.

APPROXIMATE WEIGHTS

- 2 panels: 34kg
- 3 panels: 50kg
- 4 panels: 67kg



Supergalv

THE ONLY COMPLETE RANGE OF
JULIET BALCONIES
HOT-DIP GALVANIZED AFTER MANUFACTURE

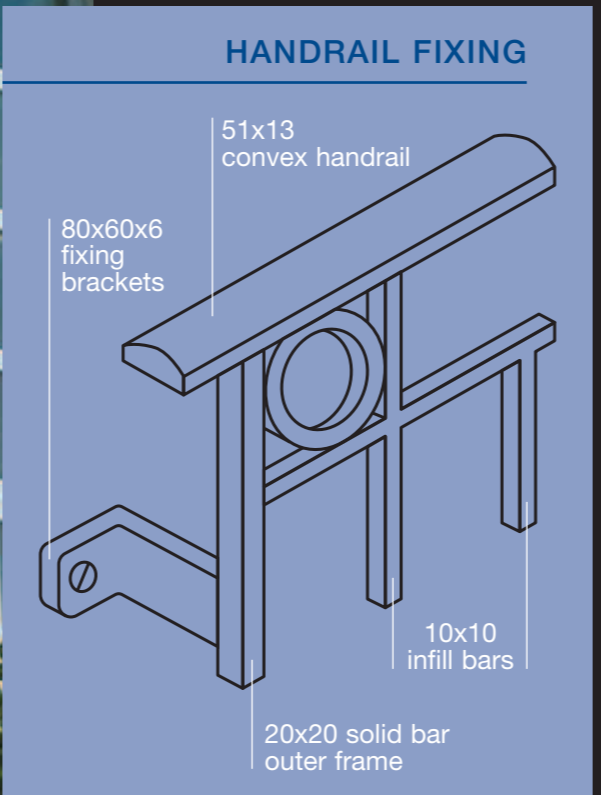
FULL 'BESPOKE' DESIGN SERVICE AVAILABLE

Mary Avenue Birtley County Durham DH31JF
Telephone 0191410 6631
Fax 0191 410 0650
email info@birtley-building.co.uk
www.birtley-building.co.uk www.birtley-building.co.uk



Juliet Balconies

From Birtley



Outstanding Style, Safety & Economy

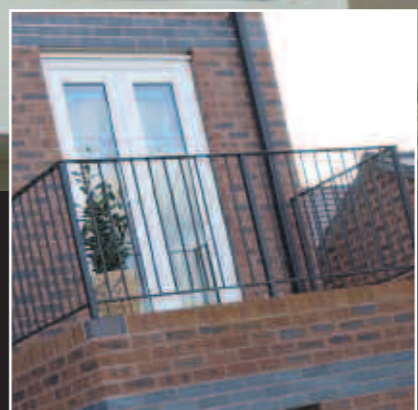
Well known in the construction industry for manufacturing the superb 'Supergalv' range of steel lintels, Birtley are delighted to introduce this exciting new selection of balcony designs.

The versatile Birtley range of 'Juliet' Balconies offers six attractive and practical styles to choose from plus further 'custom-design' options. Their sturdy construction delivers uncompromised safety and all are hot-dip galvanized for maximum durability.

Installation is quick and simple offering you a truly economical and versatile solution that can be easily 'built-in' to your design schemes.

■ Steel French doorsets are also available.

**Call us now for the full story:
0191 410 6631**



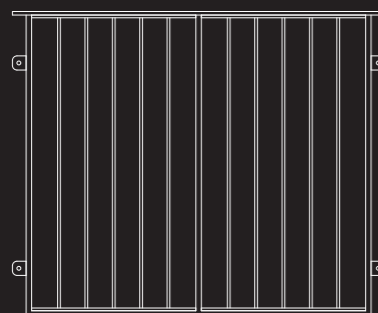
JULIET BALCONIES ARE IDEAL FOR:
 HOUSING DEVELOPMENTS • APARTMENTS
 • SCHOOLS • HOSPITALS • NURSING HOMES
 • STUDENT ACCOMMODATION
 & OTHER LARGE PUBLIC BUILDINGS

Six great styles plus full custom-design service

CUSTOM OPTIONS

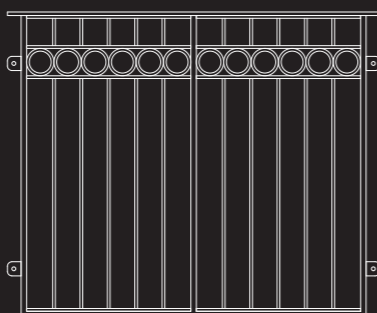
- Non-standard sizes
- Matching balustrading
- Bow-fronted with footplate
- Powder coated black
- Perforated aluminum infill panels
- Your own design of panels

VERONA (Straight Bars)
PISA (Bowed Bars)



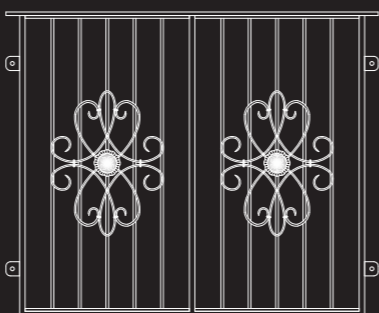
2 Panel JB2/VER JB2/PSA
 3 Panel JB3/VER JB3/PSA
 4 Panel JB4/VER JB4/PSA

ROMA



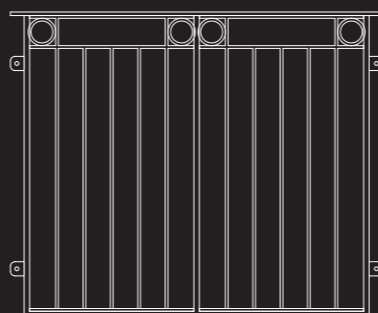
JB2/ROM
 JB3/ROM
 JB4/ROM

MILANO



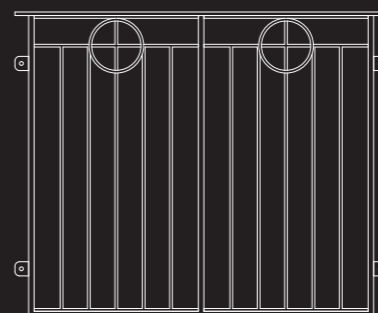
JB2/MIL
 JB3/MIL
 JB4/MIL

NAPOLI



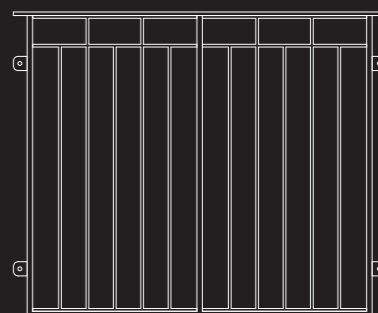
JB2/NAP
 JB3/NAP
 JB4/NAP

SIENA



JB2/SIE
 JB3/SIE
 JB4/SIE

SORRENTO



JB2/SOR
 JB3/SOR
 JB4/SOR